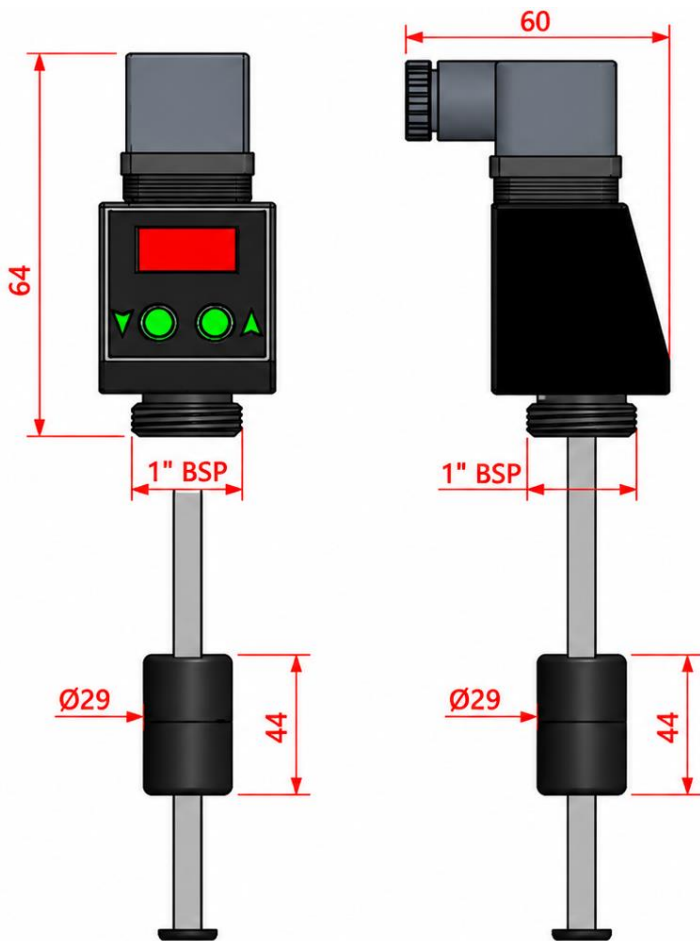


DIMENZIJE - TEHNIČNI LIST

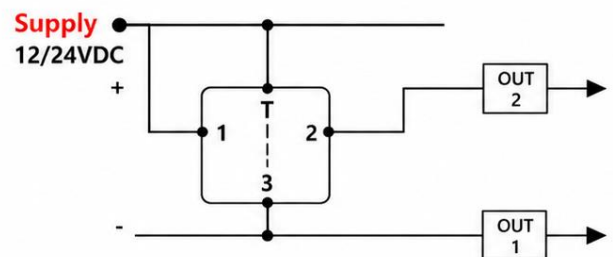
DIMENSIONS - TECHNICAL DATA SHEET

ELEKTROMAGNETNI MERILNIK NIVOJA I-200mm

ELECTROMAGNETIC LEVEL GAUGE L-200MM



| | |
|--------------------|--|
| Pin 2 OUT1 (NC) | |
| Pin 3 OUT2 (NO) | |



Pin 1 - Napajanje/Supply

Pin T - Ozemljitev / GND

Pin 2 - Normalno zaprt / Normally closed NC

Pin 3 - Normalno odprt / Normally open NO

| Šifra / Code | Max. viskoznost / Max. viscosity [cSt] | Max. naklon montaže / Max. angle installation | Max. obremenitev / Max. load [A] | Napajanje / Voltage [V] | Merilno območje / Measuring area [mm] | Navoj / Thread ["] |
|--------------|--|---|----------------------------------|-------------------------|---------------------------------------|--------------------|
| 13514 | 150 cSt | 15° | 0,5 | 12 - 24 | 200 | 1"BSPM |